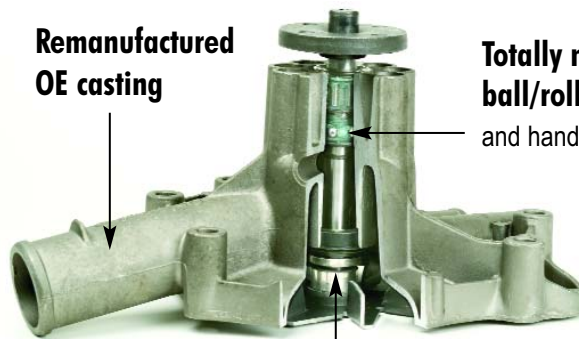


# A1 CARDONE SEVERE DUTY Water Pumps

## Built to take the heat.

Fleet vehicles, industrial vehicles and high-demand passenger cars and trucks are pushed to the limit every day, performing off-road, towing and hauling duties. With such severe demands, these vehicles require replacement parts that last.

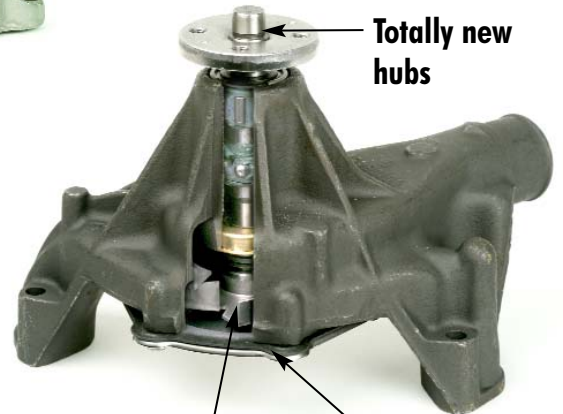
A1 CARDONE Remanufactured Severe-Duty Water Pumps are up to the challenge. Re-engineered to meet or exceed original equipment specifications, they are guaranteed for long life, perfect fit and ease of installation – all at a fraction of the cost of OE.



Remanufactured  
OE casting

Totally new, upgraded severe-duty ball/roller bearing. Provides 20% longer life and handles up to 50% more radial load

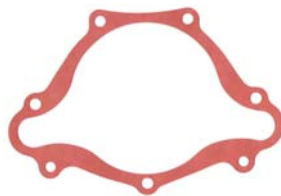
Totally new unitized seal



Totally new hubs

Totally new impeller

Totally new back plates



Superior OE grade gasket

Ensures a superior seal on the engine block. No need to re-torque bolts due to gasket losing resiliency.

A1 CARDONE Severe-Duty Water Pumps are available through CARDONE WebCat and your electronic catalog suppliers. Look for the "H" suffix.



[www.cardone.com](http://www.cardone.com)

# A-1 Severe-Duty Water Pump Program Coverage

<b>Part #</b>	<b>Application</b>	<b>VIO</b>
571219H	TOYOTA CAR/TRUCKS 95-85	995,342
571256H	CHRY/HYUNDAI/MITSU 00-88	2,245,460
571455H	FORD/MAZDA 03-93	927,024
58101H	AMERICAN MOTORS/JEEP 78-76	26,562
58114H	GM/CHEV/GMC CAR/TRK 89-73	532,114
58139H	GM FAMILY CAR/TRK 86-71	174,675
58141H	GM FAMILY CAR/TRK 97-71	251,238
58142H	GM FAMILY/JEEP CAR/TRK 84-76	218,382
58147H	GM FAMILY CAR/TRK 96-77	3,784,101
58157H	CHEVROLET,CORVETTE 91-84	159,838
58184H	CHRYSLER FAMILY CAR/TRKS 92-78	1,202,032
58208H	FORD FAMILY CAR/TRK 76-64	113,848
58211H	FORD FAMILY CAR/TRK/IND 70-64	Not Avail.
58212H	FORD FAMILY CAR/TRK 87-69	1,156,616
58216H	FORD FAMILY CAR/TRK 92-70	506,738
58231H	FORD/MERCURY/LINCOLN 91-80	1,150,570
58295H	GM FAM,CHEV/GMC TRUCKS 90-75	1,213,587
58297H	GM FAMILY,CHEV/GMC TRUCK 90-71	1,006,126
58320H	GM FAMILY CAR/TRK 96-87	6,886,432
58323H	GM FAMILY CAR/TRK 06-87	12,050,741
58328H	GM FAMILY/ISUZU CAR/TRK 03-87	4,402,119
58340H	FORD TRUCKS 92-87	623,689
58341H	FORD,TAURUS/MERC,SABLE 95-86	1,463,597
58346H	FORD TRUCKS 97-87	2,500,078
58367H	CHEV/GMC TRUCKS 96-87	6,770,810
58390H	FORD/MAZDA TRKS 02-90	2,512,526
58447H	DODGE TRUCKS, 1992	129,347
58455H	JEEP 01-91	929,670
58457H	CHRYF FAMILY CAR/TRK 82-70	257,945
58481H	JEEP/DODGE TRUCKS,98-93	2,253,692
58490H	CHEV/GMC TRUCKS 00-94	231,550
58507H	FORD/MERCURY CAR/TRK 05-95	3,926,507
58521H	CHEV/GMC/ISUZU/OLDS TRK 05-96	6,901,773
58522H	CHRYF FAM/EAGLE/MITSU 04-95	2,042,755
58560H	DODGE TRK/JEEP 03-92	4,035,324
58569H	FORD/LINCOLN/MERCURY Police 02-99	705,773
58583H	FORD/LINCOLN/MERCURY 05-01	975,870