



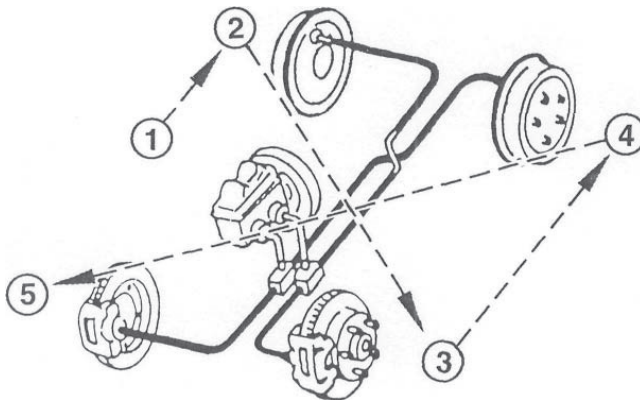
Diagonal Split Bleeding Sequence

Application FWD vehicles with diagonal split brake systems.

Problem Brake system won't bleed, uneven pad wear, low brake pedal, or warning lights that won't go out.

Cause Improper brake bleeding sequence.

Solution Brake systems on most FWD vehicles have been redesigned to insure adequate stopping power in the event of partial system failure. To ensure proper system performance these diagonal split systems require a special bleeding sequence, usually RR, LF, LR, RF. Refer to manufacturer's bleeding sequence for your vehicle.



Note When replacing brake components, always flush entire brake system with approved brake fluid from a sealed container.