

# CARDONE ProTech

Supporting Today's Vehicle Technician



## Inspect Distributor Cam Gear Before Installing Distributor

**Application** All gear driven distributors

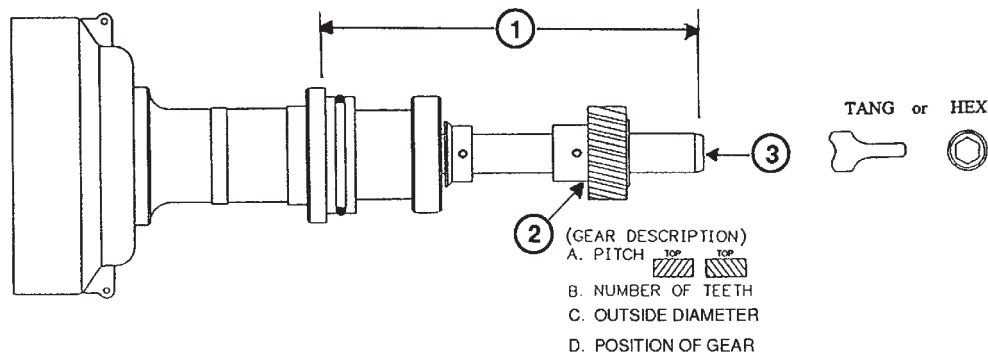
**Problem** Original distributor has abnormal gear wear or breakage.

**Cause** Distributor gear and camshaft drive gear wear together in a pattern. When only one of the pair is replaced, the likelihood of a repeat failure is very high.

**Solution** Inspect both camshaft drive gear and distributor gear for wear. If either is worn, both must be replaced.

Inspect oil pump. If pump does not turn freely, it must be replaced.

**Important Note** When replacing the distributor, it is extremely important to match the replacement unit to the original. Key points of comparison are shown below.



For other ProTech publications, visit [www.cardone.com](http://www.cardone.com)