

# CARDONE ProTech

Supporting Today's Vehicle Technician



## Tips To Prevent CV Axle From Getting Stuck in Transmission

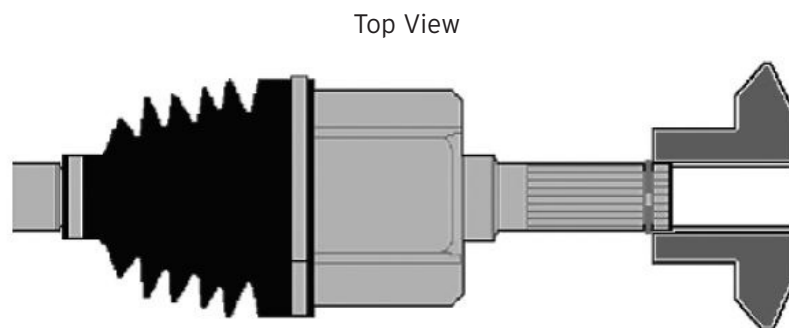
**Application** All Front Wheel Drive Vehicles With CV Axles.

**Problem** Inability to remove inner CV axle joint from transmission.

**Cause** C-clip mis-shaped or rolled over upon installation.

**Solution** Useful tips before installing axle into transmission:

- Use a small amount of light grease to help slide the splines and clip in.
- Orient the clip opening at 12:00 to prevent the ends from rolling over.
- Use a special compress tool where applicable.
- Do not use a hammer or force the axle into the transmission.



**Note** This bulletin is supplied as technical information only and is not an authorization for repair.

For other ProTech publications, visit [www.cardone.com](http://www.cardone.com)