

CARDONE™ ProTech®

Supporting Today's Vehicle Technician



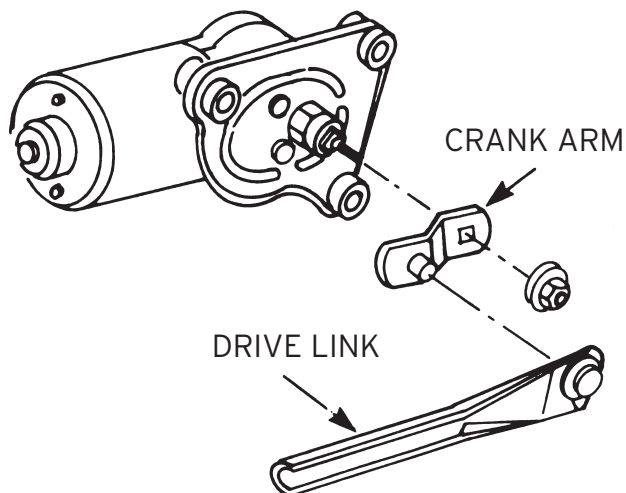
Operating Wiper Motor Before Installation Causes Problems

Application All Electric Wiper Motors.

Problem Replacement wiper motor parks in wrong position.

Cause Power was applied to the unit before installation moving it off park position.

Solution Remove linkage from installed unit, operate motor on high speed for 5 seconds, then switch to park position. Reinstall linkage so wiper arms are in park position. Operate unit and test for proper operation. If not correct, test motor ground (see ProTech® PT 40-0001), also refer to vehicle service manual for specific installation procedures.



Note CARDONE units are supplied in the correct park position.